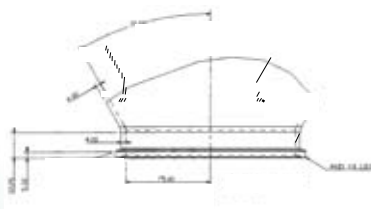
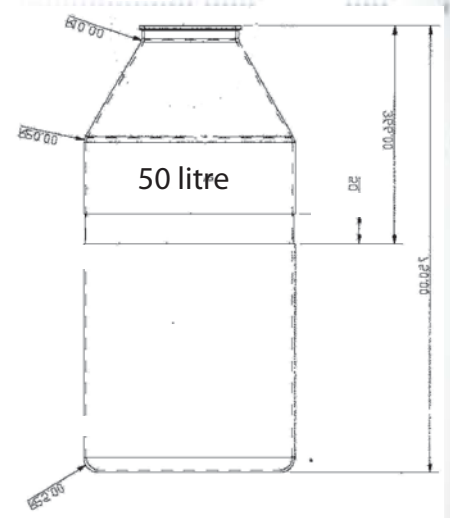
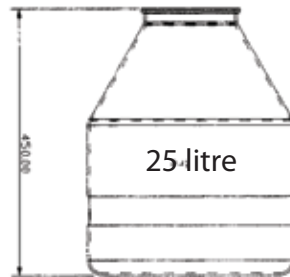
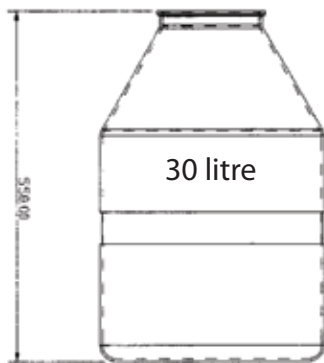


Pharma Charge™ has been designed to meet the rigorous standards of the healthcare industry and to be compatible with most common valve mechanisms.

The range of ploy bottles has been created with a broad spectrum of customer needs in mind, with volumes of 25, 30, 40 and 60 litres, and opening diameters of up to 10", most charger problems are solved.



Flange Section

- Opaque LDPE material enables visual checking.
- Single use or cleaned and re-used.
- Mono-material construction for recycling.
- Irradiation Friendly.
- Supporting documentation available.
- Advanced manufacturing processes are used for lower unit costs.
- 3mm wall thickness Microcene LDPE anti-static Polythene.
- Custom design opening potential up to 10".
- Materials meet EU and FDA migration requirements.
- Full batch traceability.
- 60° cone angle to flange.
- Tri-clamp flange docks to most butterfly valves.
- 360mm base footprint for simple handling.
- 50mm inset panel for clamp devices.